

# PG6 POD - CHILLED OR PART AMBIENT / HEATED

## WATER SERVICES

PODS CAN TAKE FROM STORED WATER AND WASTE BOTTLES OR A MAINS SUPPLY. WHERE MAINS WATER IS AVAILABLE, SERVICES SHOULD BE TERMINATED UNDER THE POD USING A 15MM THREADED TAP. THE HEIGHT CLEARANCE UNDER THE POD IS 75MM.

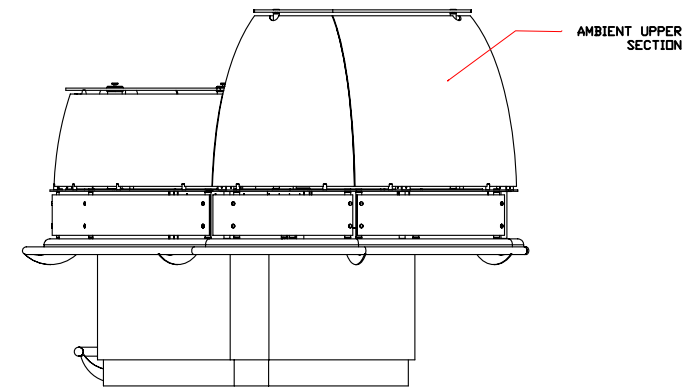
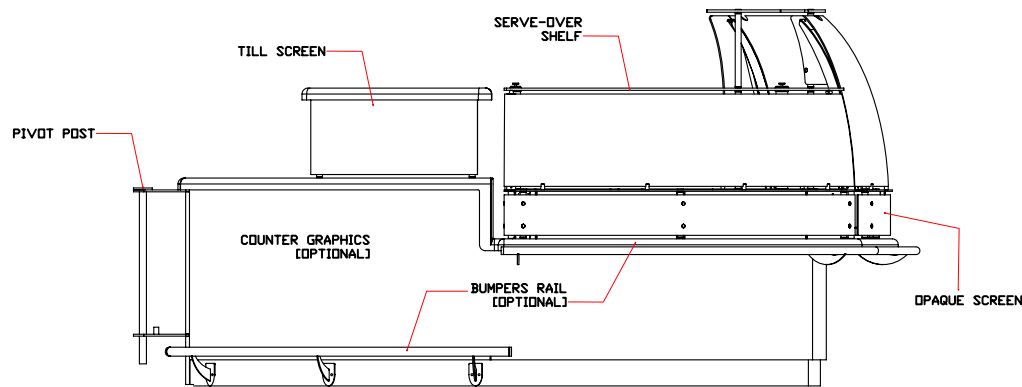
MOST PODS USE WATER BOTTLES FOR WASTE WATER BUT WHERE DRAINAGE IS AVAILABLE IT SHOULD BE TERMINATED USING A 50MM GULLEY AT FLOOR LEVEL WITH AN AIR OMITTANCE VALVE AND TRAP.

## ELECTRICAL SERVICES

PODS ARE CONFIGURED TO SUIT 63AMP SINGLE PHASE AS STANDARD. 110V AND THREE-PHASE ELECTRICAL SUPPLIES CAN BE ACCOMMODATED.

## FLAME RETARDANCY

PODS ARE MANUFACTURED TO SUIT THE DEMANDS OF UK CLASS 'D' SURFACE SPREAD OF FLAME GOVERNED TO BE SUITABLE FOR PUBLIC SPACES. ULTRA LOW SMOKE OPTION IS ALSO AVAILABLE FOR SITES WITH PARTICULAR REBUST DEMANDS (UNDERGROUND TRANSPORTATION SITES ETC)



## SERVERY COUNTER FRONT

THIS DRAWING IS COPYRIGHT AND THE PROPERTY OF POD303.COM.  
CONTRACTOR TO VERIFY ALL DIMENSIONS AND NOTIFY POD303 OF ANY DISCREPANCIES WITHIN 48 HRS

REVISIONS				Date: 09/09/07
				Dwg No: PG6 - GA (HEATED / CHILLED) - ELEVATIONS
No	Description	Date	Name	POD303.com
				WWW.POD303.COM TEL No : 01592 582 782

# PG6 POD - CHILLED OR PART AMBIENT / HEATED

## WATER SERVICES

PODS CAN TRADE FROM STORED WATER AND WASTE BOTTLES OR A MAINS SUPPLY. WHERE MAINS WATER IS AVAILABLE, SERVICES SHOULD BE TERMINATED UNDER THE POD USING A 15MM THREADED TAP. THE HEIGHT CLEARANCE UNDER THE POD IS 75MM.

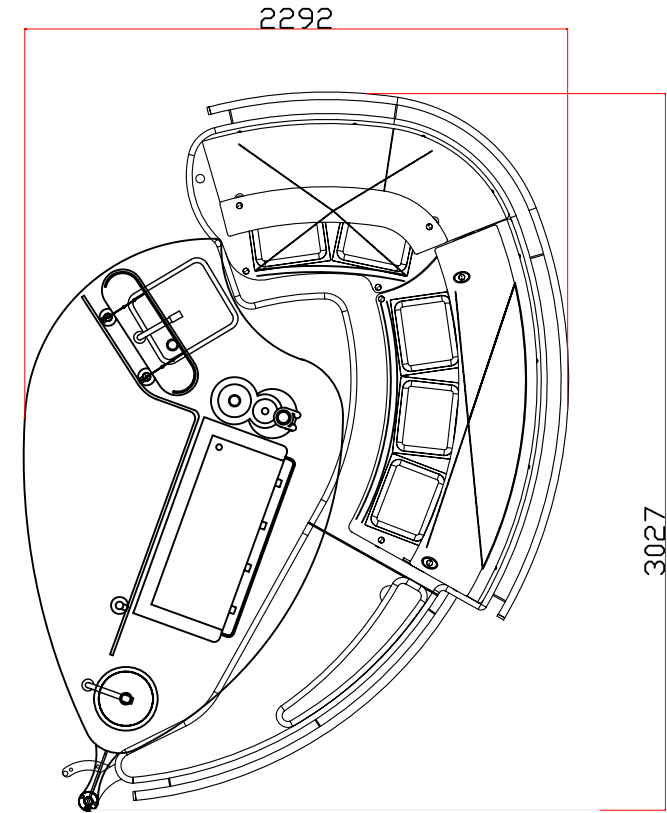
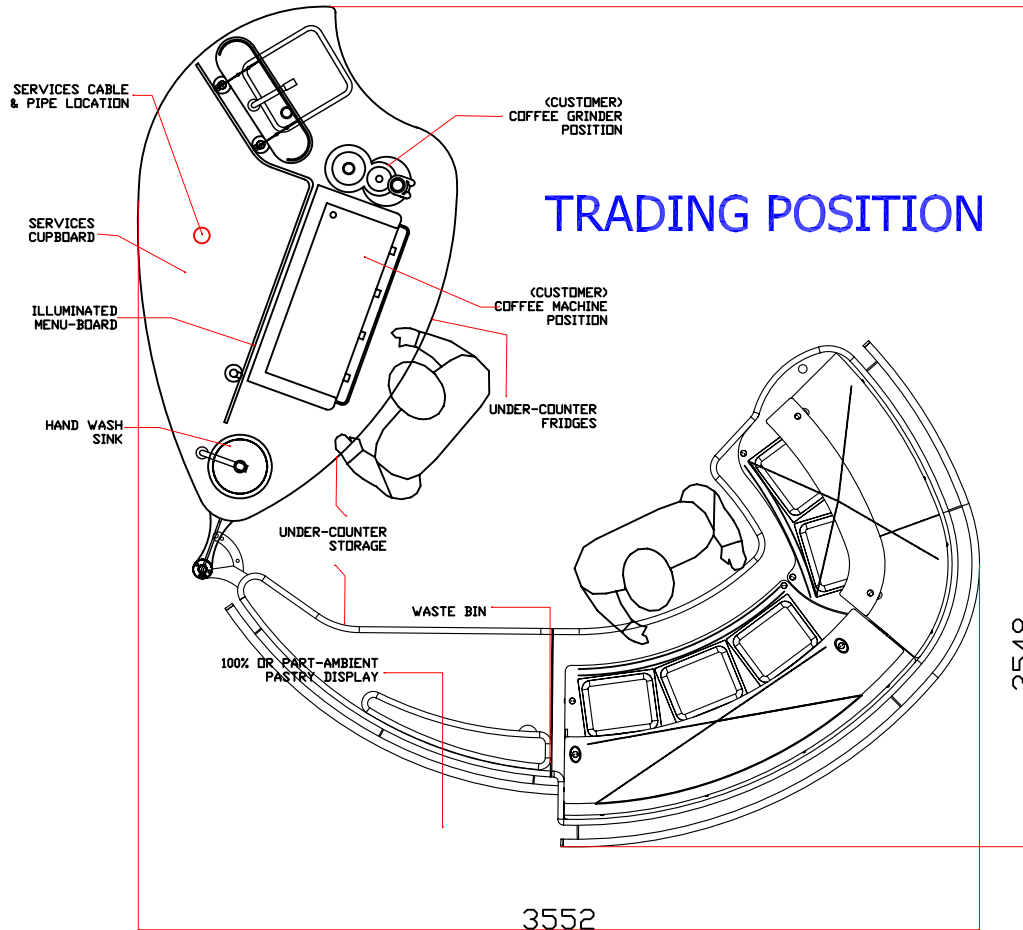
MOST PODS USE WATER BOTTLES FOR WASTE WATER BUT WHERE DRAINAGE IS AVAILABLE IT SHOULD BE TERMINATED USING A 50MM GULLEY AT FLOOR LEVEL WITH AN AIR OSMITTANCE VALUE AND TRAP.

## ELECTRICAL SERVICES

PODS ARE CONFIGURED TO SUIT 63AMP SINGLE PHASE AS STANDARD. 110V AND THREE-PHASE ELECTRICAL SUPPLIES CAN BE ACCOMMODATED.

## FLAME RETARDANCY

PODS ARE MANUFACTURED TO SUIT THE DEMANDS OF UK CLASS 'D' SURFACE SPREAD OF FLAME GOVERNED TO BE SUITABLE FOR PUBLIC SPACES. ULTRA LOW SMOKE OPTION IS ALSO AVAILABLE FOR SITES WITH PARTICULAR ROBUST DEMANDS (UNDERGROUND TRANSPORTATION SITES ETC)



## SECURE POSITION

REVISIONS				Date: 09/09/07
No	Description	Date	Name	Dwg No: PG6 - GA [HEATED / CHILLED] - PLANS
				POD303.com
				WWW.POD303.COM
				TEL No : 01592 582 782

THIS DRAWING IS COPYRIGHT AND THE PROPERTY OF POD303.COM.  
CONTRACTOR TO VERIFY ALL DIMENSIONS AND NOTIFY POD303 OF ANY DISCREPANCIES WITHIN 48 HRS